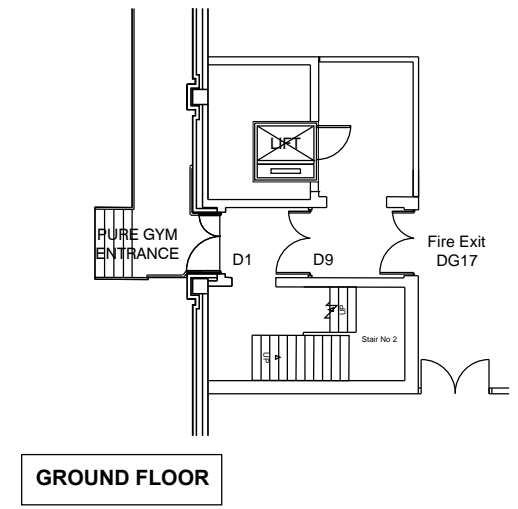


FIRST FLOOR



GROUND FLOOR

B	05.05.15	FIRE EXIT DOORS ADDED TO CHANGING ROOMS; STAFF ROOM RE-CONFIGURED; ADDITIONAL HAIRDRYER STANDS ADDED IN FEMALE; HANDRAILS ADDED TO STEPS INTO SHOWERS AND CHANGING; SPIN AREA ENCLOSED	GL	HM
-A	09.03.15	ACCESSIBLE WC RELOCATED	PJC	
REV	DATE	DESCRIPTION	DRN	CHK

MICHAEL HYDE AND ASSOCIATES LIMITED
chartered architects



MANCHESTER ■ SHEFFIELD □

51 BARTON ARCADE
 DEANSGATE
 MANCHESTER M3 2BJ
 TEL 0161 834 1018
 FAX 0161 834 4798
 Manchester@MHA
 architects.com

ABBNEY HOUSE
 11 LEOPOLD STREET
 SHEFFIELD S1 2GY
 TEL 0114 2727123
 FAX 0114 2753043
 Sheffield@MHA
 architects.com

PROJECT TITLE		
PURE GYM LTD 54-62 BRANDON PARADE, MOTHERWELL		
DRAWING TITLE		
FIRE EVACUATION PLAN		
DRAWN / CHECKED	DATE	SCALE
KW/HM	FEB 2015	1:200 @ A3
JOB No	DRAWING	REVISIONS
1PG106	2-600	B